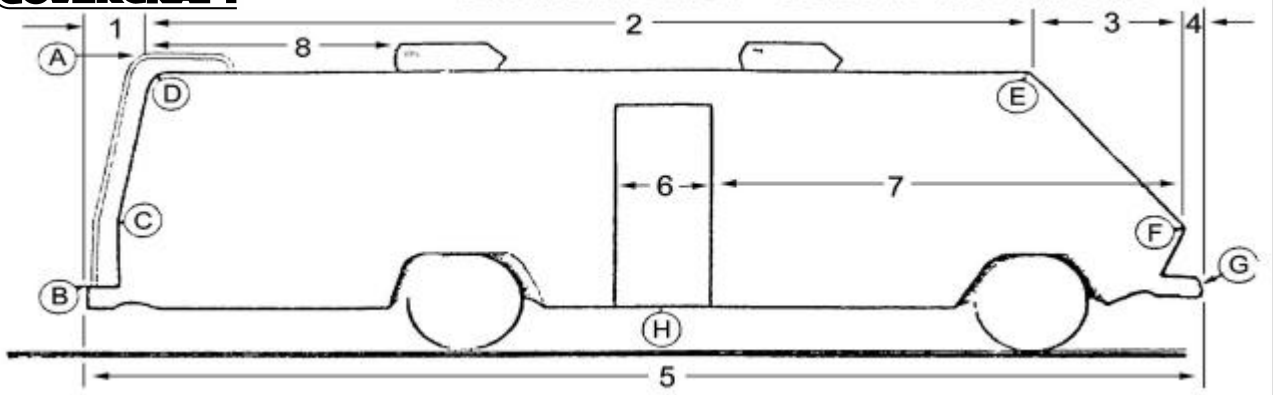




DIMENSION SHEET - CLASS "A" MOTORHOME



- Lengths - Measured Horizontally**
- # 1 Rear bumper to rear of roof _____
 - # 2 Rear of roof to front of roof _____
 - # 3 Front of roof to front nose _____
 - # 4 Nose to front bumper _____
 - Total _____
 - # 5 Overall length, front to rear _____
- If you have measured correctly, the total of # 1 through # 4 should be the same as # 5.**
- # 6 Door width _____
 - # 7 Front nose to front edge of door _____
 - # 8 Rear of roof to pod or AC _____

- Heights - Measured from Ground**
- A Height to top of ladder _____
 - B Height to top of bumper _____
 - C Height at point "C" _____
 - D Height to top of rear roof _____
 - E Height to top of front roof _____
 - F Height at nose _____
 - G Height of front bumper _____
 - H Road clearance _____

- Widths, Measured Side to Side at Points Shown**
- A Width at rear ladder _____
 - B Width at rear bumper _____
 - C Width at point "C" _____
 - D Width at rear of roof _____
 - E Width at front of roof _____
 - F Width at front nose _____
 - G Width at front bumper _____

- Motorhome Information**
- 1 Do you have an awning? _____ How far does it extend out from the side (closed) _____
Driver or passenger side? _____
 - 2 Do you have a 2nd AC or pod? _____ Measure the distance between the two _____

A photo of the motorhome will help us make the pattern. The photo can be returned if requested.

MAKE _____

MODEL _____

YEAR _____

NAME _____

Daytime phone _____

Date of order _____